

## Features

- Backlit LED Mirror
- One touch **switch** with dimmer and memory function
- Energy efficient LED lighting 6500K ,white color
- CRI 80+
- Includes Defogger , with push button
- MEANWELL brand LED driver ( 50W )
- Luminous : 2937LM
- AQUADOM Acrylight Technology (Front & Side Lighting)

## Construction

- Aluminum frame
- Quality polished edge mirror
- Single field wire installation
- Constructed for surface mounting
- Includes installation hardware

## Codes/Standards Applicable

- EDGE Mirror is ETL certified to:
  - UL 962
  - CSA Standard C22.2 No. 250.0

## Dimensions

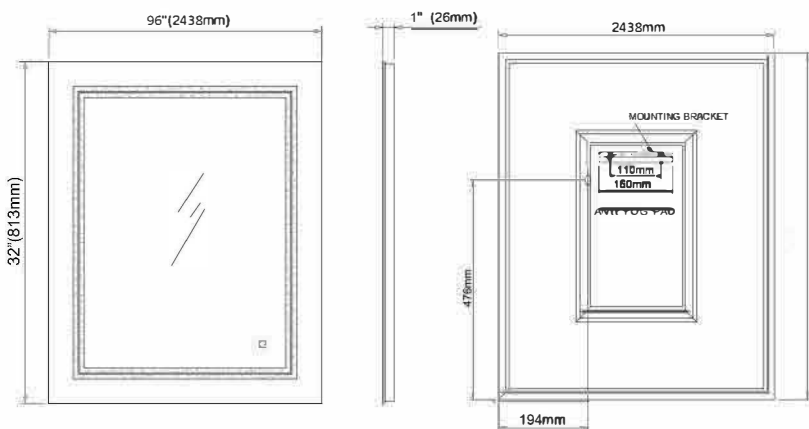
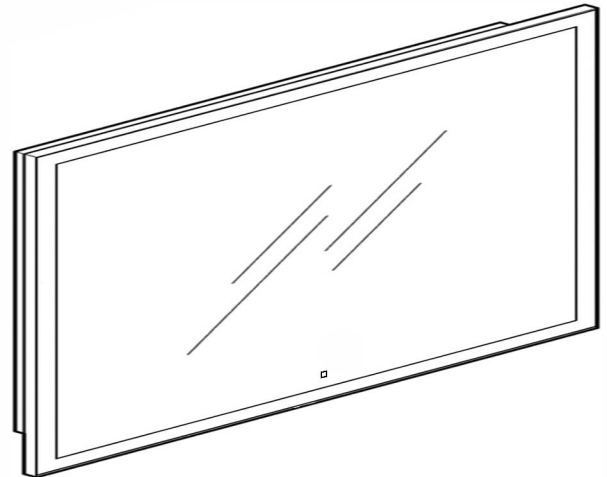
Height: 32" ( 813 mm)

Width: 96" ( 2438mm )

Depth: 1" ( 26 mm )

## Electrical System

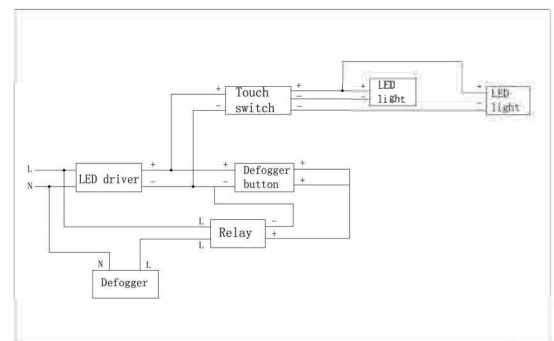
- INPUT : 110-240V~ 0.6A 50/60Hz
- OUTPUT : max.13V
- Field Wire location as shown in drawing
- Circuit Diagram



Front view

Side view

Back view for electrical knockout location



Circuit diagram