

Features

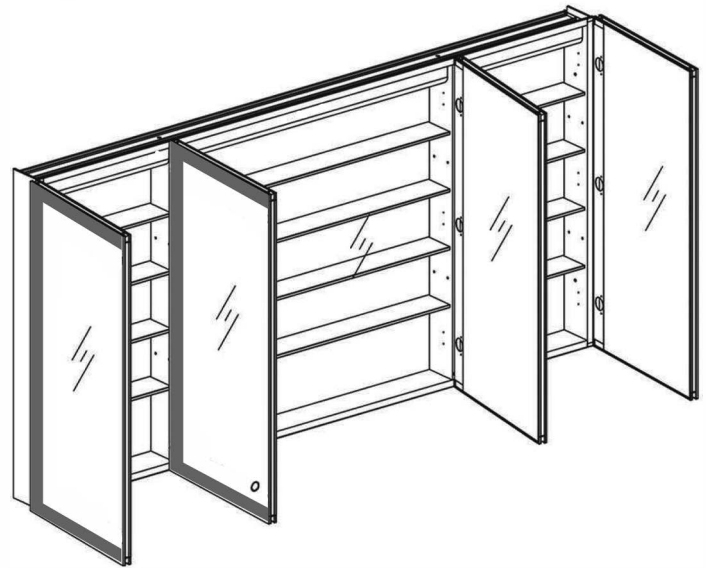
- Cool white LED Light with Dimmable touch control
- Mirrored interior with 3 adjustable glass shelves
- Includes Defogger with push button
- Includes one outlet without USB port
- Includes installation hardware for recess mounting
- Can be recessed or surface mounted
(surface mounting is included)
- 3X LED Magnifying Mirror
- Energy efficient LED lighting:

Kelvin	6500
CRI	80+
Lumens*†	1620
R9 Value*	50+
Watts (AC)	60
Lumens per Watt	90



Construction

- Grey aluminum body and door frame
- Mirrored design – rear of cabinet and both sides of door
- Concealed finger pull-door edge
- Two pieces DTC 155° self-closing hinges for each door
- Adjustable shelving at 2-1/3" (60 mm) increments
- Single field wire into electrical shelf - Front access serviceability



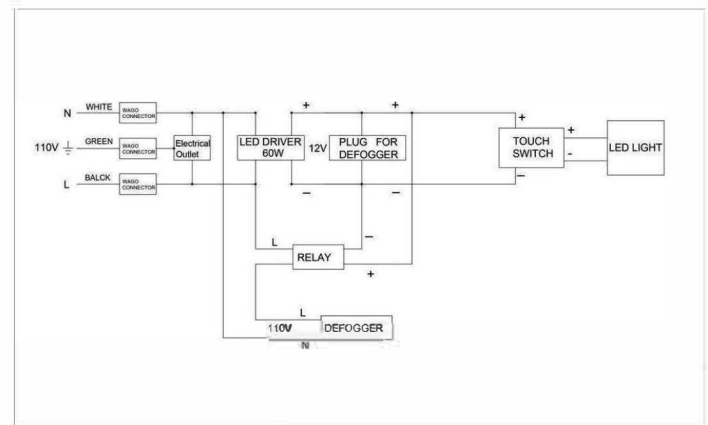
Codes/Standards Applicable

Electric Option Models are ETL certified to:

- UL 962
- CSA Standard C22.2 No. 68

Dimensions

Height: 32" (813 mm)
 Width: 72" (1829 mm)
 Depth: 5" (127 mm) When surface mounted
 1" (25 mm) When recessed



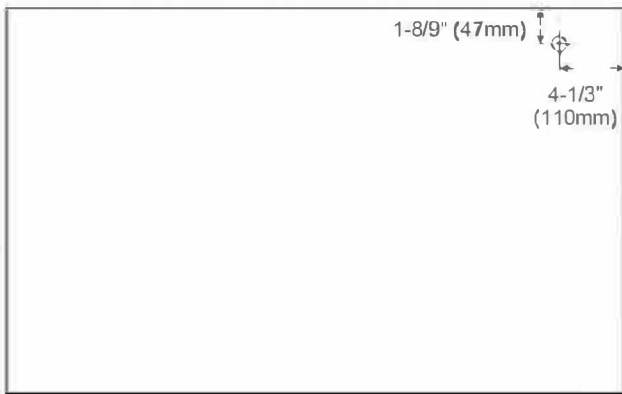
Circuit Diagram

Installation Options

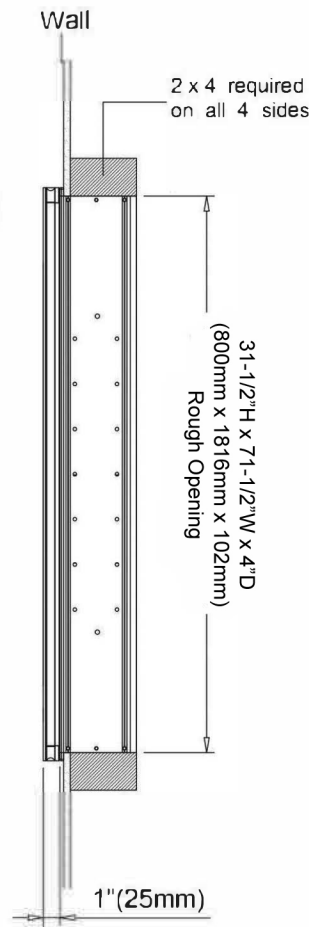
- Recessed Mount - Rough Opening - 31-1/2" H x 71-1/2" W x 4" D (800mm H x 1816mm W x 102mm D)
- Surface Mount - Surface Mount Kit is included

Electrical System

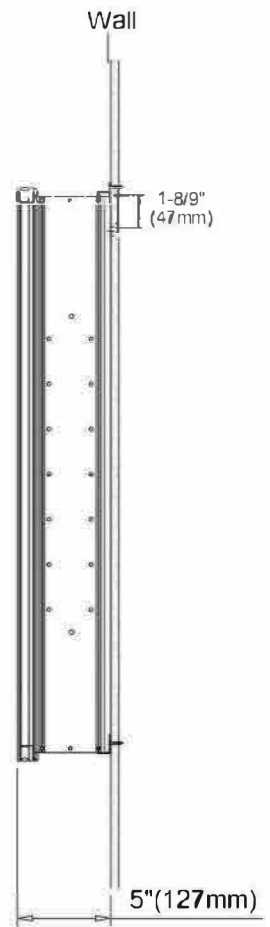
- 60Watts LED Driver
- INPUT : 120 VAC 60HZ 1.2A
- OUTPUT : 12 VAC 5.0A
- Field wire location as shown in drawing
- 1/2" conduit (Ø 7/8" actual) electrical knockout location shown below
- Included field wire cable clamp
- Circuit Diagram (On page 1)



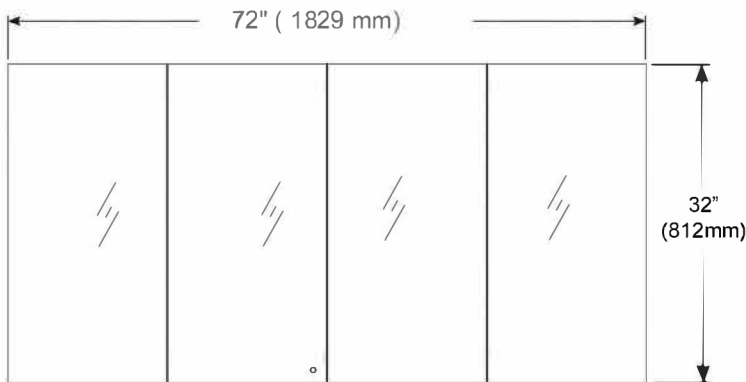
Back of Cabinet - Wire Access Location



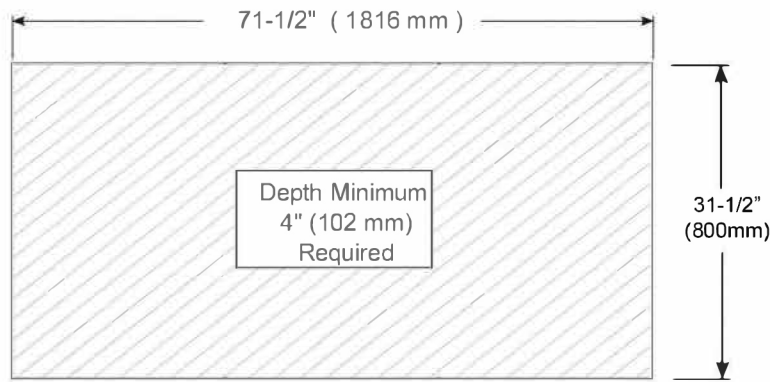
Recessed Mount



Surface Mount



Cabinet Dimensions



Rough-in Dimensions