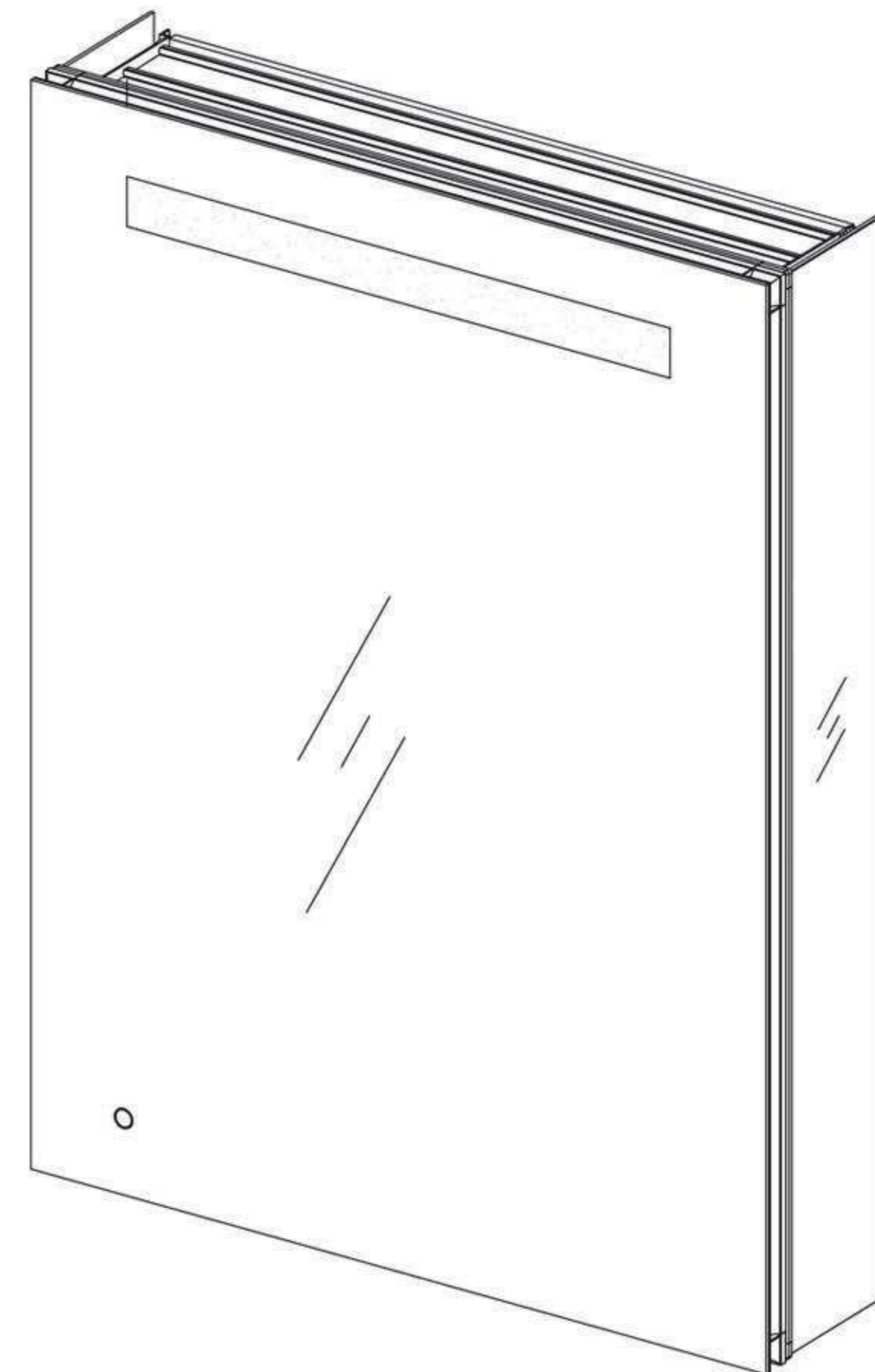


Features

- Cool white LED Light with Dimmable touch control
- Mirrored interior with 2 adjustable glass shelves
- Includes Defogger with push button
- Includes one outlet without USB port
- Includes installation hardware for recess mounting
- Can be recessed or surface mounted
(surface mounting is included)
- Energy efficient LED lighting:

Kelvin	6500K
CRI	80+
Lumens	1036LM
Watts (AC)	20W



Construction

- Grey aluminum body and door frame
- 3 mirror design – rear of cabinet and both sides of door
- Concealed finger pull-door edge
- Two pieces DTC 90° self-closing hinges on right hand
- Adjustable shelving at 2 1/3" (60 mm) increments
- Single field wire into electrical shelf - Front access serviceability

Codes/Standards Applicable

Electric Option Models are ETL certified to:

- UL 962
- CSA Standard C22.2 No. 68

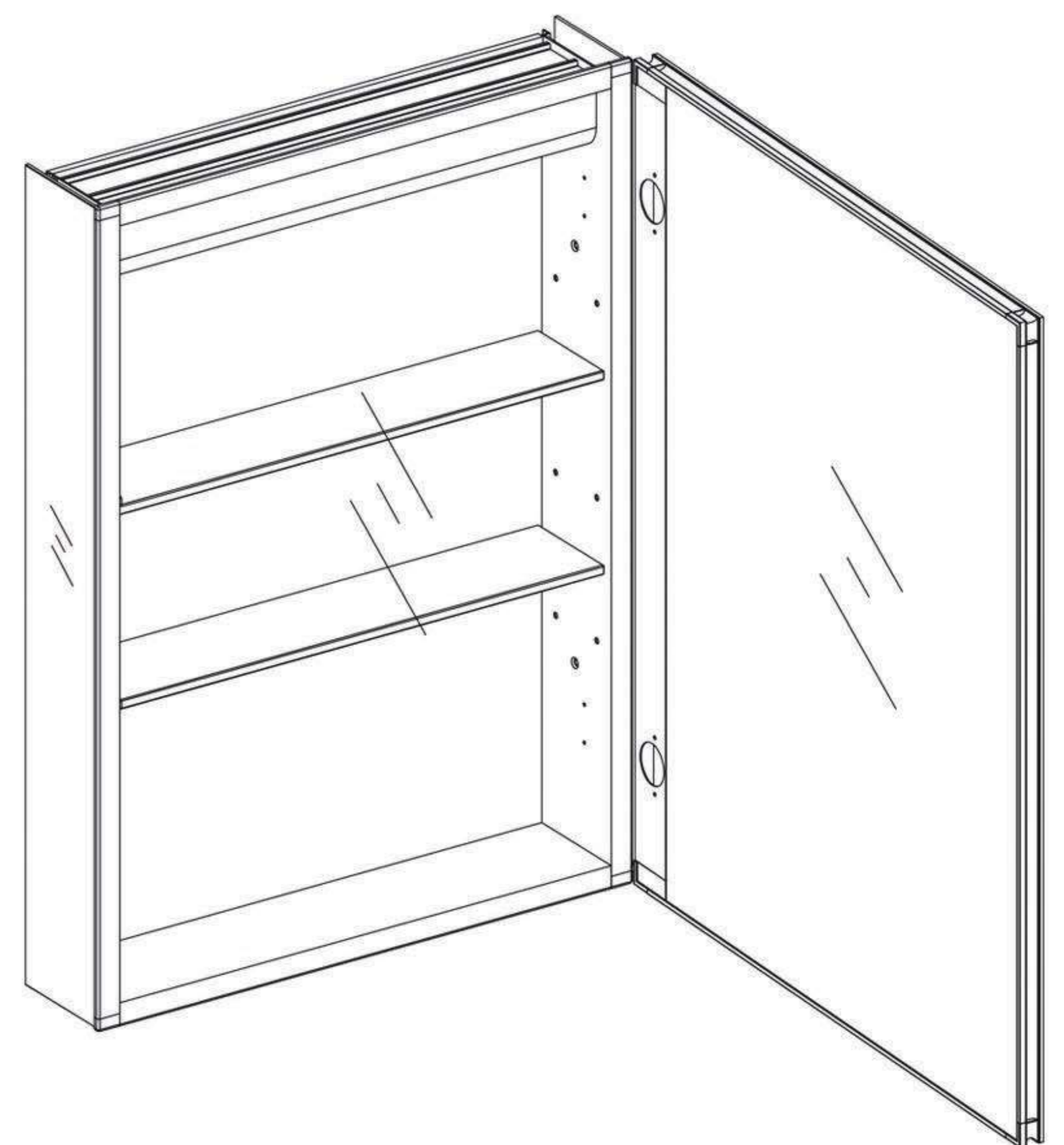
Dimensions

Height: 26" (660 mm)

Width: 20" (508 mm)

Depth: 5" (127 mm) When surface mounted

1" (25 mm) When recessed

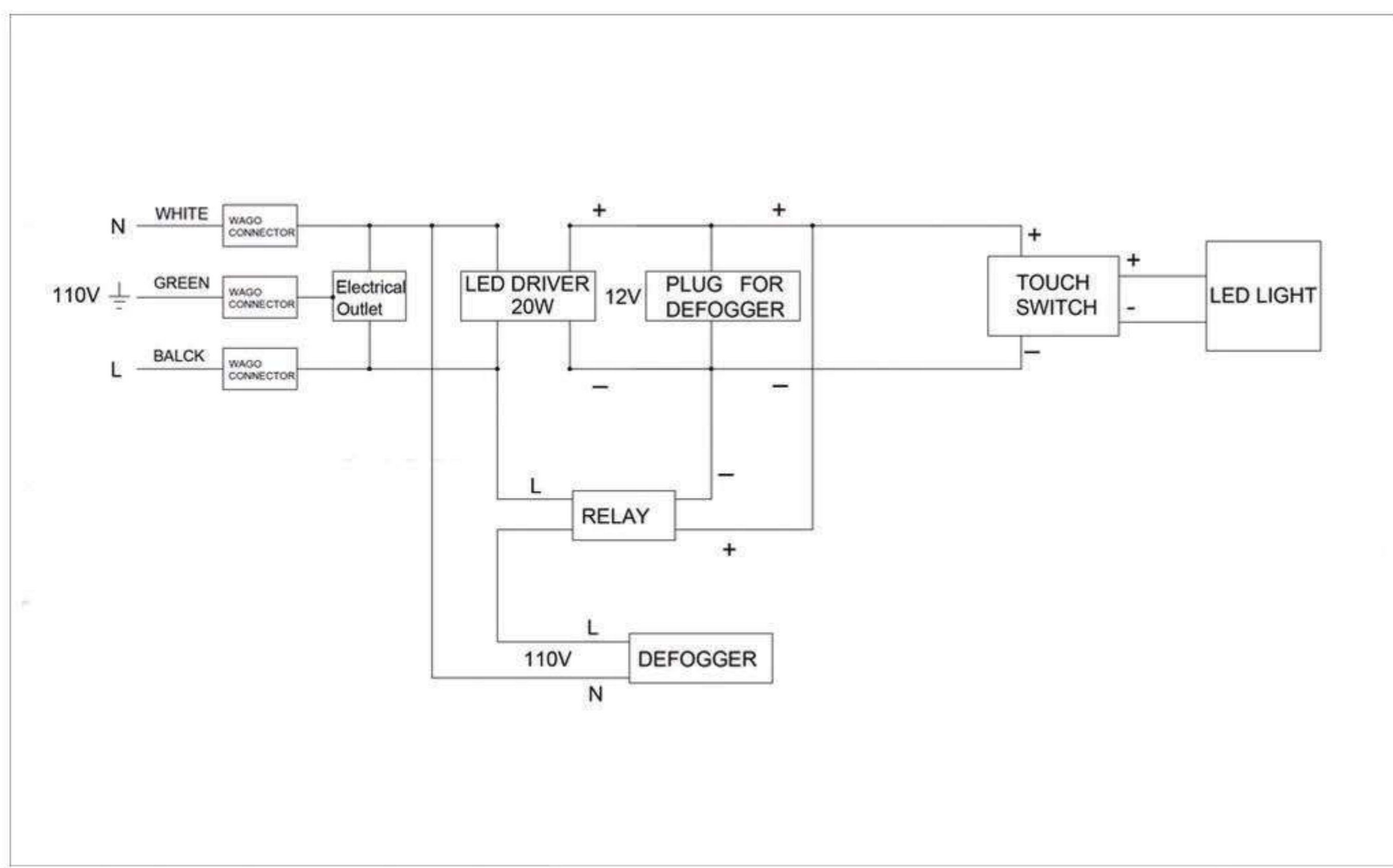


Installation Options

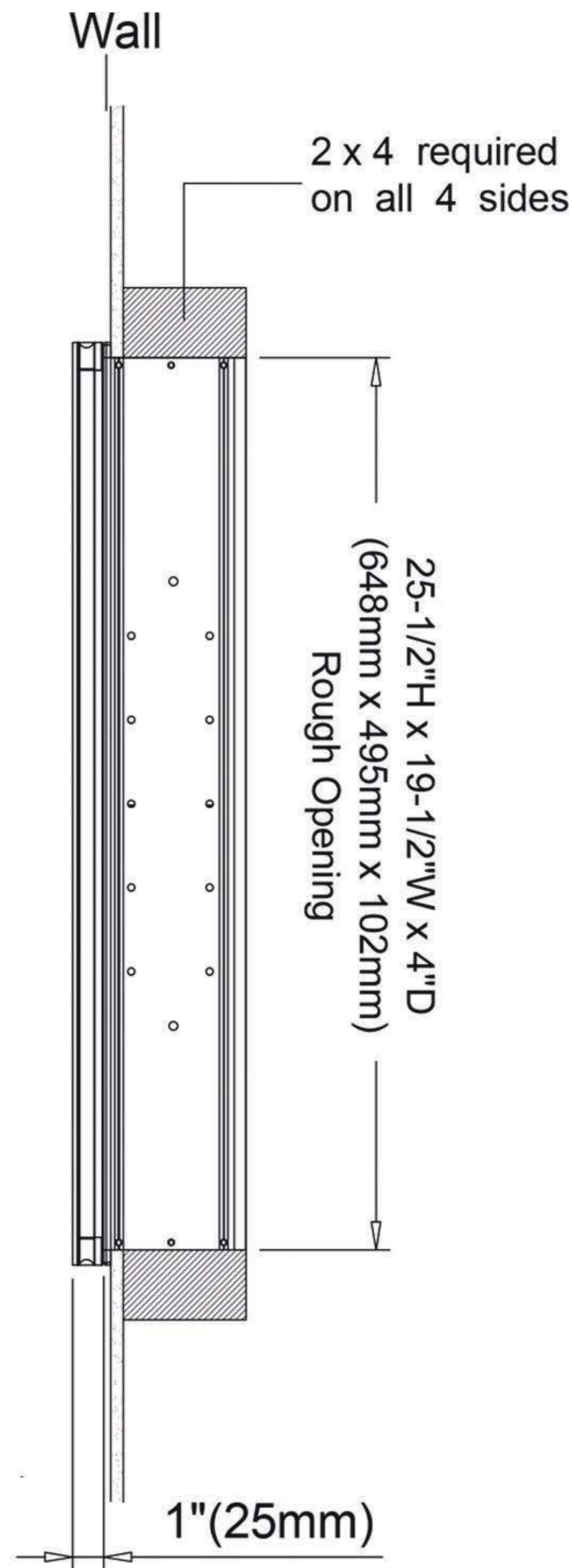
- Recessed Mount - Rough Opening - 25-1/2" H x 19-1/2" W x 4" D (648mm H x 495mm W x 102mm D)
- Surface Mount - Surface Mount Kit is included

Electrical System

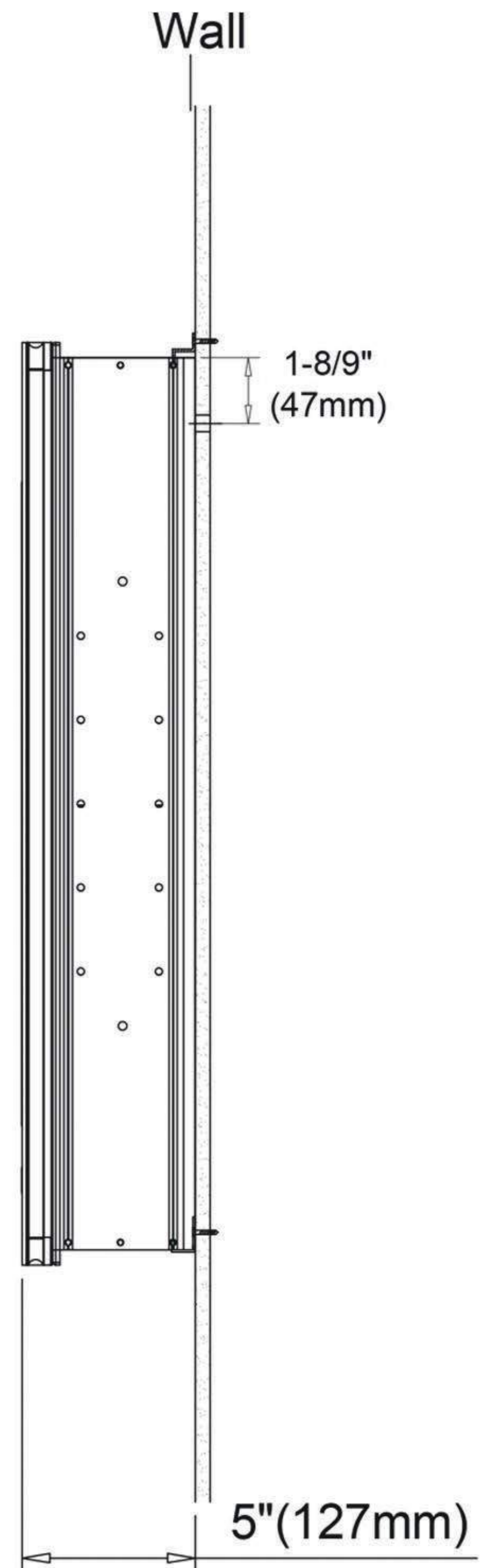
- 20 Watts LED Driver
- INPUT : 120VAC 60HZ 0.55A
- OUTPUT : 12VAC 1.67A
- Field wire location as shown in drawing
- 1/2" conduit (Ø 7/8" actual) electrical knockout location shown below
- Included field wire cable clamp
- Circuit Diagram



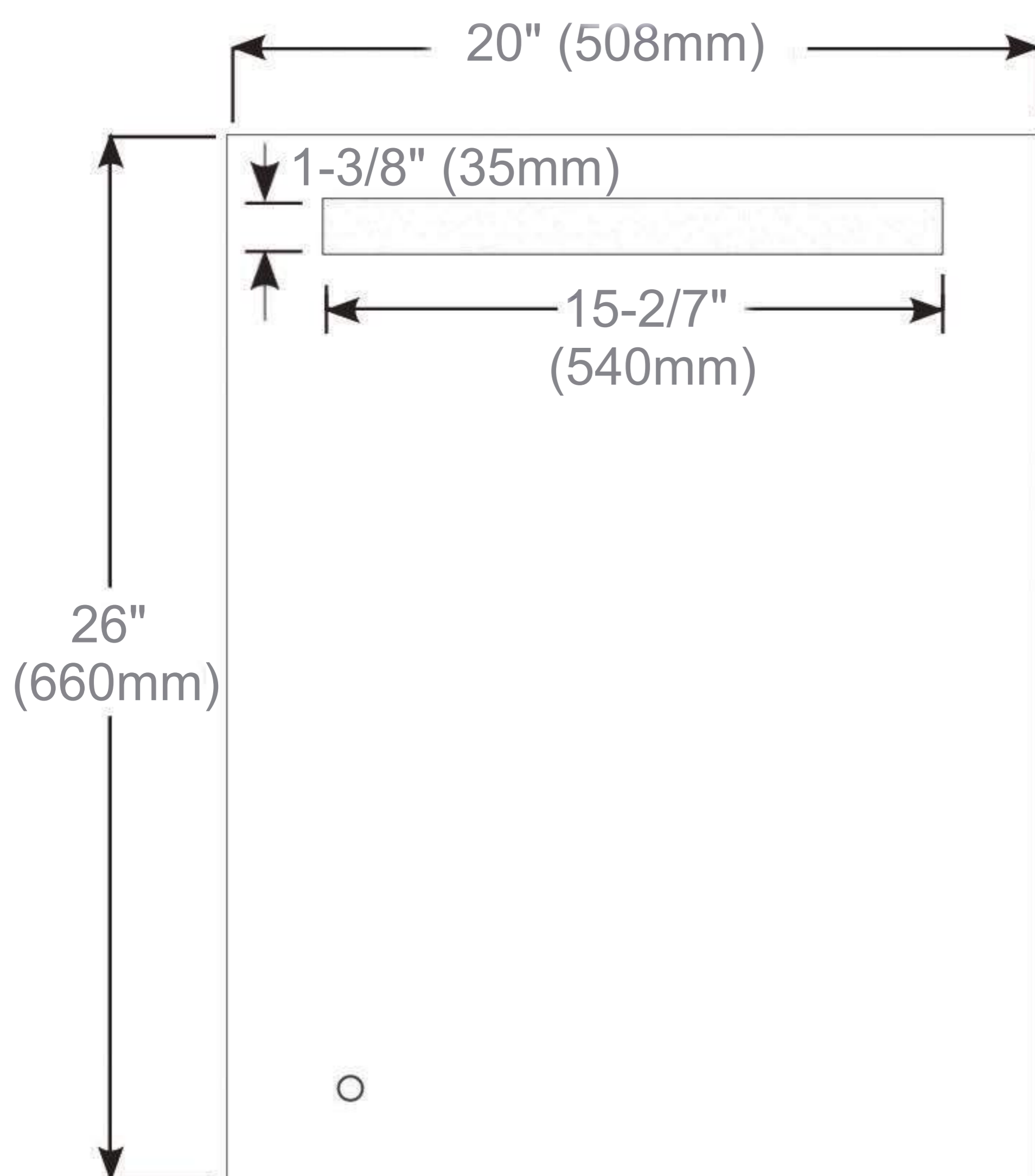
Circuit Diagram



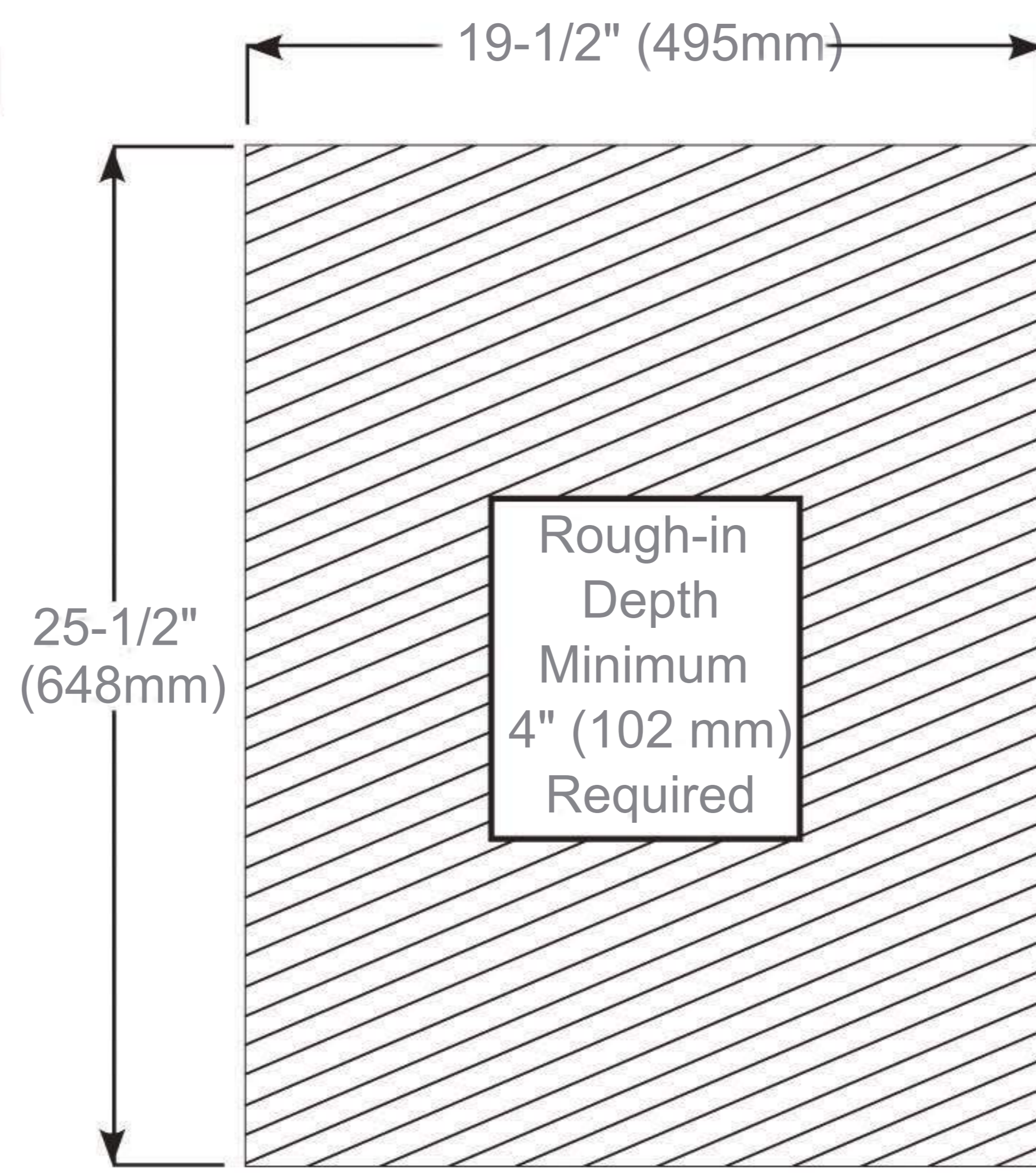
Recessed Mount



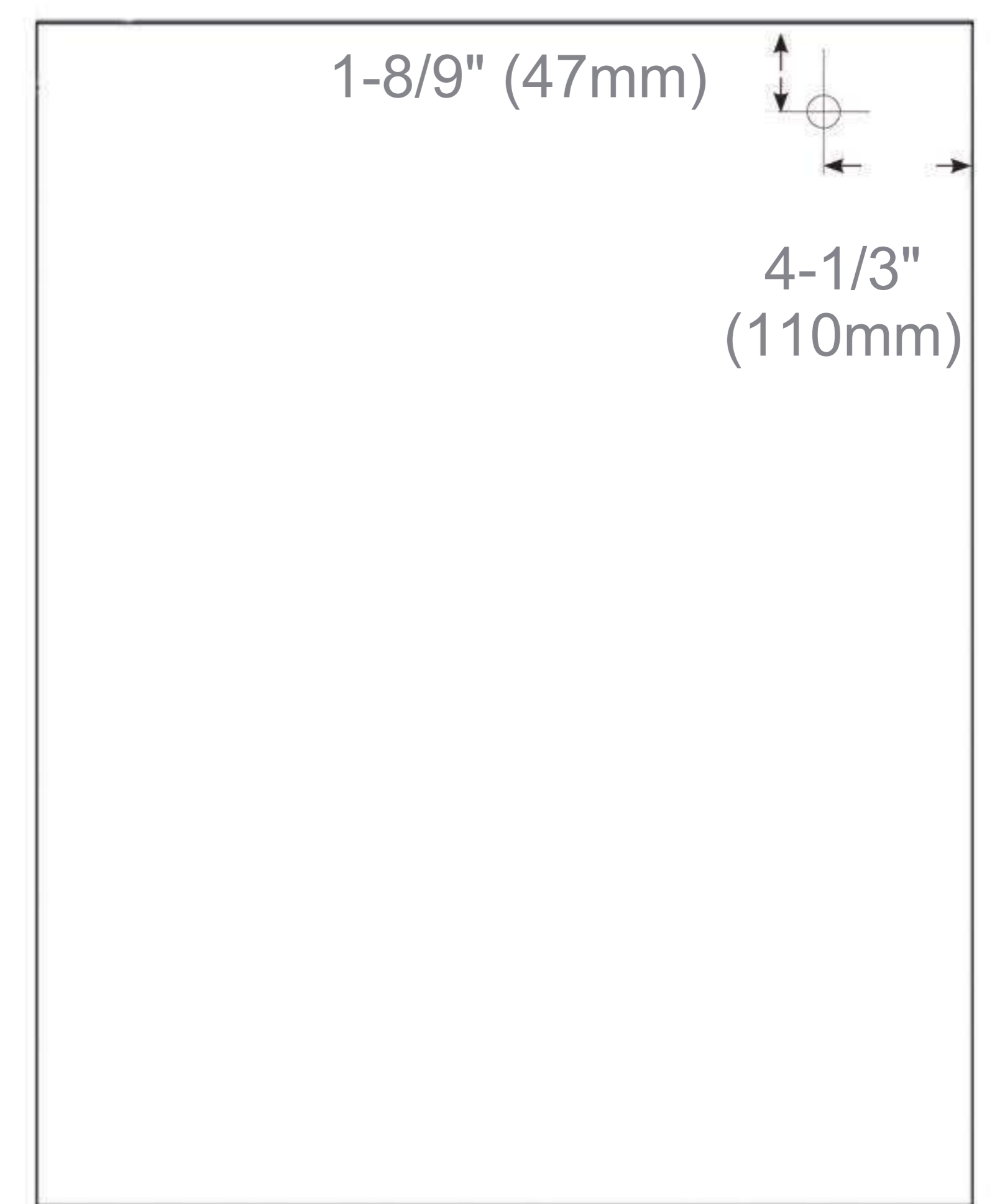
Surface Mount



Cabinet Dimensions



Rough-in Dimensions



Back of Cabinet - Wire Access Location