

## Features

- 3D LED Color Temperature Lights
- 2 Touch sensors with Dimmer and memory function
- Energy efficient LED lighting 3000-6500K CCT
- CRI 80+
- Includes Digital Clock
- Includes Defogger with push button
- MEANWELL brand LED driver ( 80W )
- Single color ( 3000K / 6500K ) : 2174LM
- Mixed color (4000-4700K) : 4348LM

## Construction

- Aluminum frame
- Quality polished edge mirror
- Single field wire installation
- Constructed for surface mounting
- Includes installation hardware

## Codes/Standards Applicable

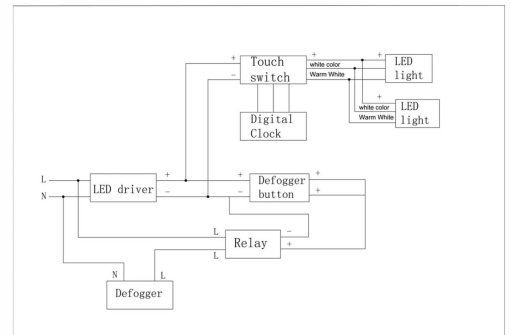
- DAYTONA Mirror is ETL certified to:
  - UL 962
  - CSA Standard C22.2 No. 250.0

## Dimensions

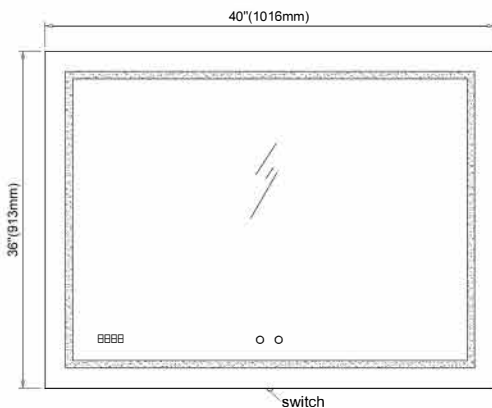
- Height: 36" ( 913 mm )
- Width: 40" (1218 mm )
- Depth: 1" ( 26 mm )

## Electrical System

- INPUT : 110-240V~ 0.85A 50/60Hz
- OUTPUT : max.13V
- Field Wire location as shown in drawing
- Circuit Diagram



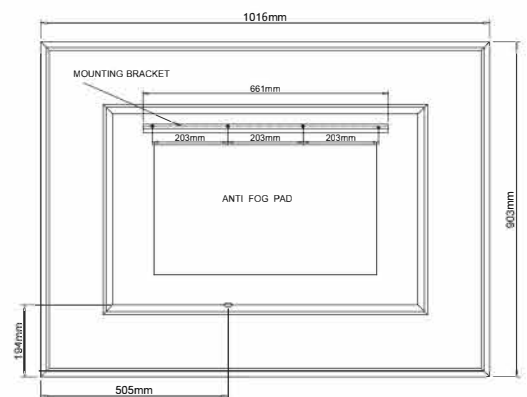
Circuit Diagram



Front view



Side view



Back view for electrical knockout location